

SAMSON

INSTRUCTIONS

UHF Series One DR2 Dual Rack Adaptor

1. Disconnect any cables, that may be connected, from the rear of the Series One UR1 receiver to be mounted, i.e., the power supply cable and audio output cable.
2. Slide the receiver through the front of the DR2 Rack Adaptor (as in figure 1), and push into place with thumbs (as in figure 2) until both tabs on either side of the receiver snap into position (figure 3) and the receiver fits flush against the DR2 Rack Adaptor.
- 2a. For mounting a second Series One UR1 receiver, remove the screws securing the cover plate using a Phillips screwdriver. Follow steps 1 and 2 (above) for second receiver.
3. Secure Rack Adaptor to your rack using standard rack screws (not included).
4. Now you can reconnect the power supply cable and audio output cable to the rear of the receiver.

To remove a receiver, depress both tabs on either side of the receiver and push receiver out the front of the DR2 Rack adaptor.

Figure 1

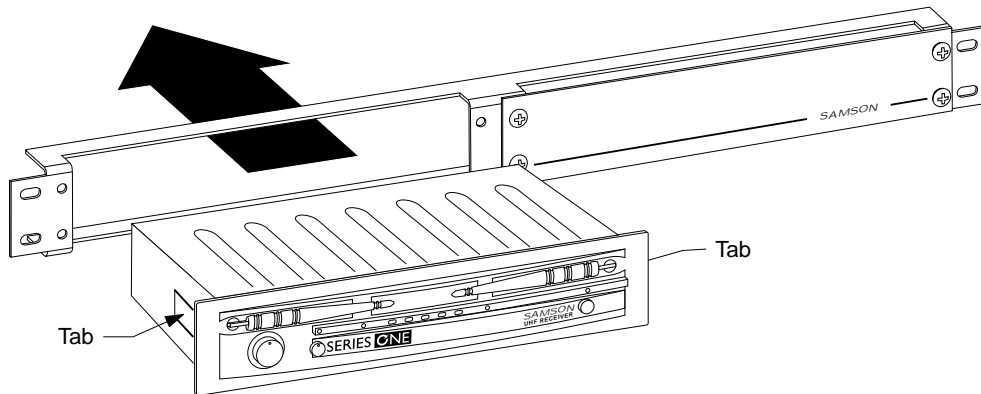


Figure 2

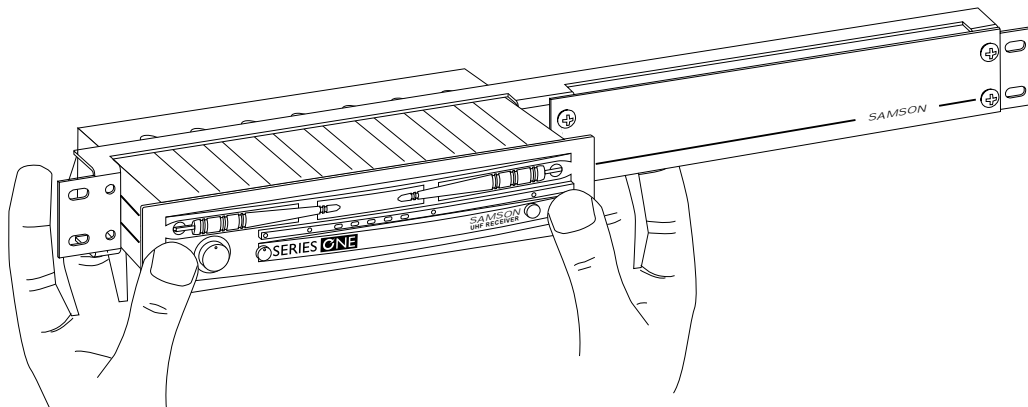
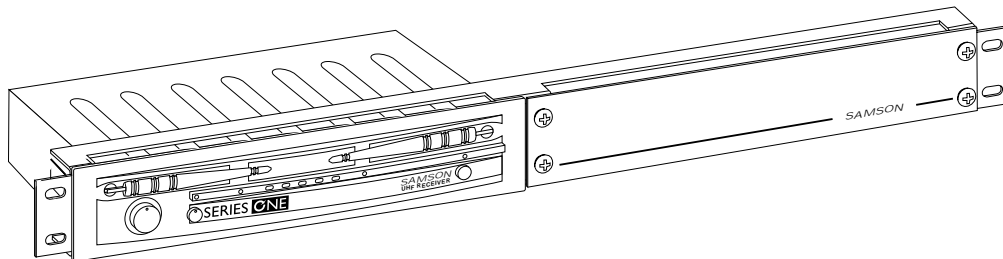


Figure 3



If you experience any difficulties, or require further assistance, contact Samson Customer Service at 1-800-3SAMSON (1-800-372-6766) M-F 9AM to 5PM (eastern standard time). For more product information please visit our website at www.samsontech.com.

SAMSON

575 Underhill Blvd, P.O. Box 9031, Syosset, N.Y. 11791-9031
Tel. 1-516-364-2244 Fax. 1-516-364-3888